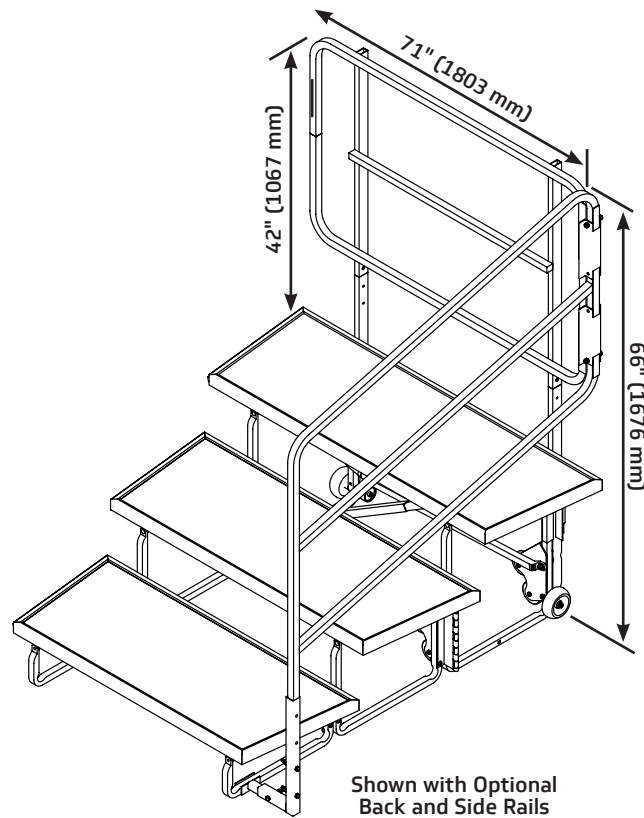


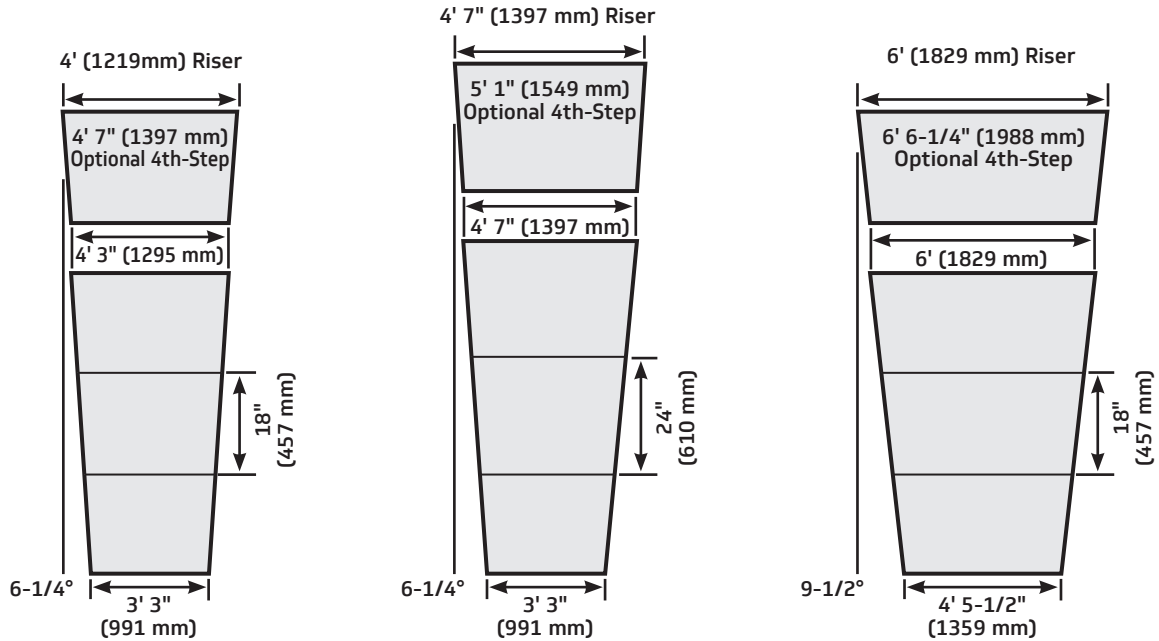
Tourmaster™ Choral Risers

- 4' x 18" (1219 x 457 mm) unit 024J642 114 lb (52 kg)
- 4' 7" x 24" (1397 x 610 mm) unit 024J672 140 lb (64 kg)
- 6' x 18" (1829 x 457 mm) unit 024J657 141 lb (64 kg)
- Load rating at 125 lbf/ft² (6 kN/m²)
- Portable 3-step unit, accordion style design folds compactly
- Ideal for groups that travel
- Frame is 7/8" (22 mm) 14-gauge square tubing
- Steps are 19/32" (16 mm) plywood covered with manufacturer's standard grey carpet
- Step edging is grey powder-coat paint finish
- Foot-pedal activated cross brace locks leg structure automatically
- Built-in reversibility allows for straight or semi-circular configuration
- Units have 3" (76 mm) non-marring rubber casters, built-in stair glides, two 4" (102 mm) wheels for positioning
- Available in 4' (1219 mm) and 6' (1829 mm) lengths with 18" (457 mm) usable step depth and 24" (610 mm) usable step depth
- Fifteen-year warranty

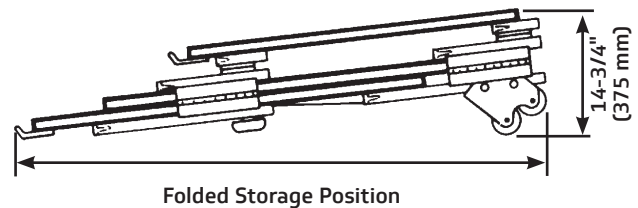
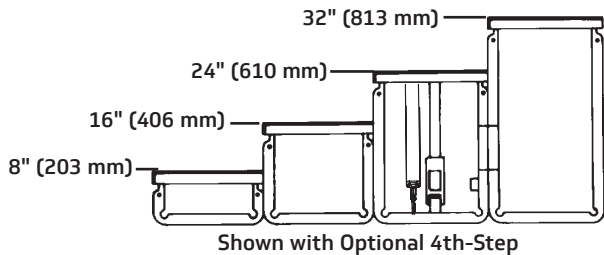


Accessories

- 4th-step addition:
 - 4' x 18" (1219 x 457 mm) unit 024J652 49 lb (22 kg)
 - 4' 7" x 24" (1397 x 610 mm) unit 024J682 59 lb (27 kg)
 - 6' x 18" (1829 x 457 mm) unit 024J667 60 lb (27 kg)
- 4th-step addition attaches to corresponding Tourmaster riser with integral leg clamps, no tools needed; must be removed prior to folding for storage
- Back rails have positioning wheels so that back rail support bar does not encumber moving riser in setup position; back rails break down without tools for easy travel
- Back rails are grey powder-coat paint finish with quick and easy clamp attachment to 3-step unit or 4th-step addition; 42" (1067 mm) height meets OSHA standards
- 4' (1219 mm) back rail 24 lb (11 kg)
- 6' (1829 mm) back rail 31 lb (14 kg)
- Optional side rails 48 lb (22 kg) are grey powder-coat paint finish and clamp to both the back rail and the riser
- Optional side rails are designed for risers set-up in the standard configuration; they do not fit on units set up in the reverse configuration



4' x 18" (1219 x 457 mm) Riser = 65-1/4"l (1657 mm) x 20.6"w (523 mm)
 4' 7" x 24" (1397 x 610 mm) Riser = 67"l (1702 mm) x 26.8"w (681 mm)
 6' x 18" (1829 x 457 mm) Riser = 83-1/4"l (2115 mm) x 20.5"w (521 mm)
 Optional 4th-Step Must be Removed Prior to Folding for Storage



Wenger®

JRCLANCY

GEARBOSS®

© 2024 Wenger Corporation
 USA/2024-04

Minnesota Location

Wenger Phone 800.4WENGER (493-6437) Wenger Worldwide +1.507.455.4100 | Parts & Service 800.887.7145 | wengercorp.com
 GearBoss Phone 800.493.6437 | gearboss.com
 555 Park Drive, PO Box 448 | Owatonna | MN 55060

New York Location

J.R. Clancy Phone 800.836.1885 JR Clancy Worldwide +1.315.451.3440 | jrclancy.com | 7041 Interstate Island Road | Syracuse | NY 13209